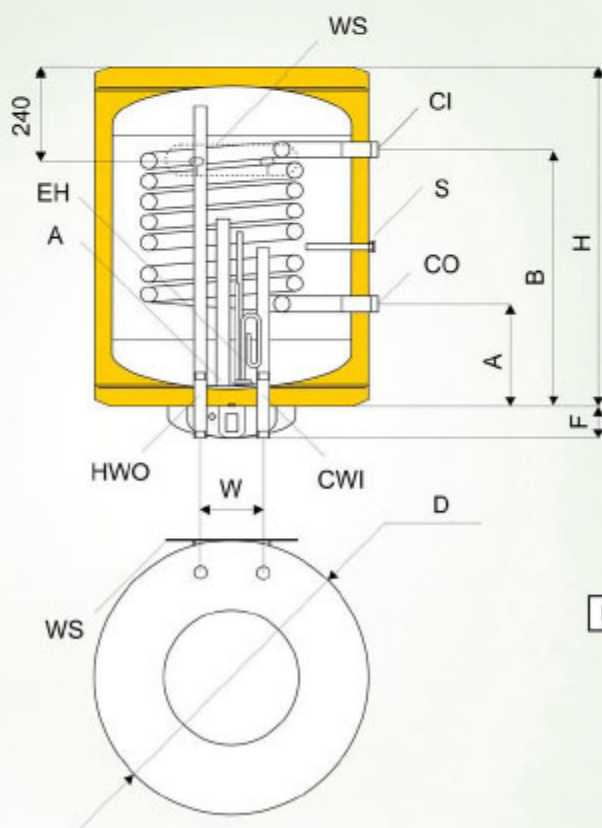


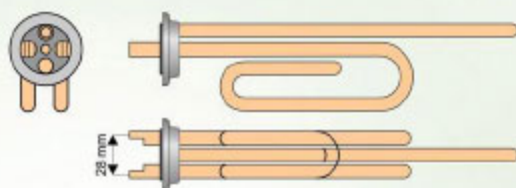
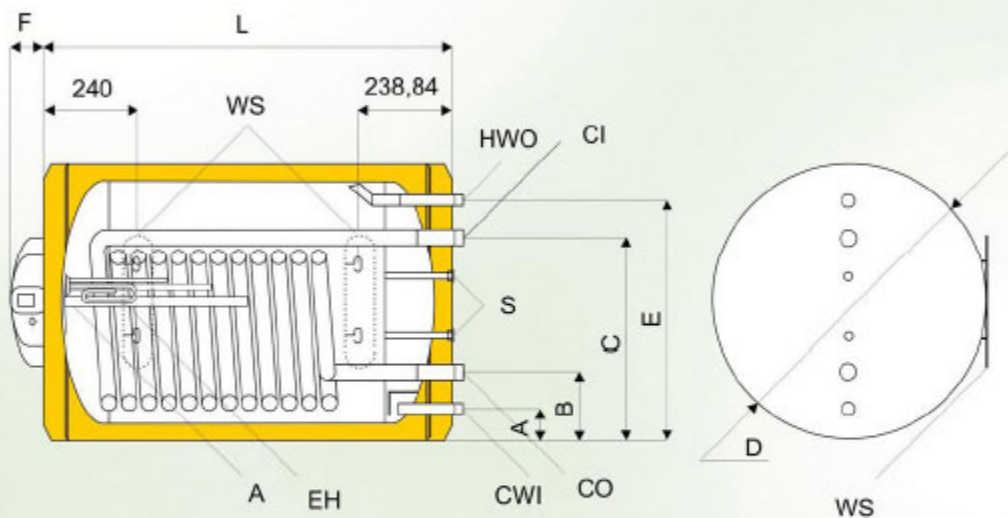
## MODEL STOPER MB

The boiler model BB has outer diameter of the bottom 440 mm.  
It is offered with volumes from 80 up to 120 litres.

### TECHNICAL FEATURES OF A SINGLE-COIL BOILER MODEL MB S1

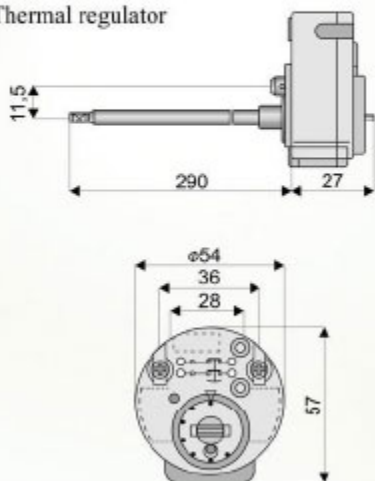
Volume L	80	100	120
Coil S input/outlet R	3/4"	3/4"	3/4"
Heat exchanging surface m <sup>2</sup>	0,53	0,8	0,8
For connection to a boiler with t 90°C and water t 10/45°C kW/L/h	25 614	32 786	32 786
Electric heater power kW	2	2	2
Cold water input R	1/2"	1/2"	1/2"
Hot water outlet R	1/2"	1/2"	1/2"
Weight kg enamel	55	61	70
Weight kg CrNi	41	46	52





Electric heaters 2 kW/230 V

Thermal regulator



DIMENSIONS FOR THE DIFFERENT LITRES horizontal execution, wall support (mm)

MB H/S1	80 L	100 L	120 L
A	45	45	45
B	100	100	100
C	350	350	350
D	$\phi 440$	$\phi 440$	$\phi 440$
E	395	395	395
L	740	900	1060
F	60	60	60

