

BOILERS WITH TWO HEAT EXCHANGERS - COIL AND CASING

The boiler with one coil and casing provides a possibility for combining two independent thermal sources for heating / boiler and sun system/ and an electric heater in water container of small capacity. Due to the additional integrated electric heater there are three sources of energy. They are offered within the range from 80 up to 200 litres. They are made with enameled or Cr-Ni water containers. The enameled ones are secured with anode protection to provide many years of operation. The boilers are offered both in vertical and horizontal execution. They are produced with leads turned to the right as per the standard. They can be also produced with leads turned to the left upon request.

Water container

Material: steel sheet ST 37.2 or stainless steel sheet 1.4301

Welding: automatic metal inert gas welding (MIG and WIG)

Protection coating: high-quality glass ceramic coating and protection anode /for the enameled water container/

Maximum working pressure of the water container: 6 bar

Maximum working pressure of the casing: 3 bar

Maximum water test pressure: 15 bar

Maximum operating temperature: 95 °C

Insulation: polyurethane foam, density 40 kg/m³

Decorative encasing: steel encasing, dust-painted

Coil: steel tube ST 37.2 or stainless tube 1.4301

Maximum coil test pressure: 25 bar

Electric heater: 2-3 kW, (230 V) with integrated double-protection thermal regulator

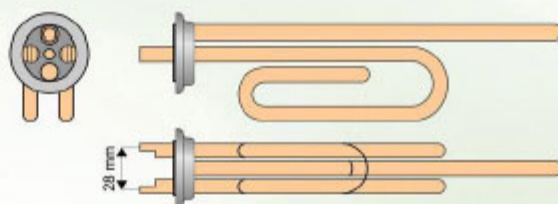


MODEL STOPER BB V/S 1M

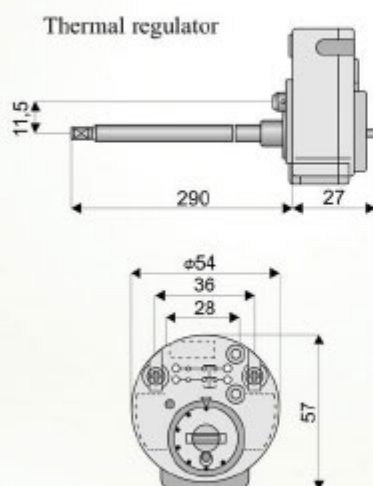
The domestic boiler model BB has outer diameter of the bottom 520 mm.
It is offered with volumes from 80 up to 150 litres /vertical execution/.

TECHNICAL FEATURES OF A BOILER WITH ONE COIL AND CASING MODEL BB V/S1M

| | | | | |
|--|-----------|-----------|-----------|-----------|
| Volume L | 80 | 100 | 120 | 150 |
| Casing input/outlet R | 1/2" | 1/2" | 1/2" | 1/2" |
| Coil S input/outlet R | 3/4" | 3/4" | 3/4" | 3/4" |
| Heat exchanging surface S1 m ² | 0,53 | 0,8 | 0,8 | 1,06 |
| For connection to a boiler with t 90°C and water t 10/45°C kW/L/h | 25 614 | 32 786 | 32 786 | 40 982 |
| Electric heater power kW | 2 | 2 | 2 | 3 |
| Cold water input R | 1/2" | 1/2" | 1/2" | 1/2" |
| Hot water outlet R | 1/2" | 1/2" | 1/2" | 1/2" |
| Weight kg enamel | 62 | 72 | 86 | 100 |
| Weight kg CrNi | 48 | 57 | 68 | 80 |

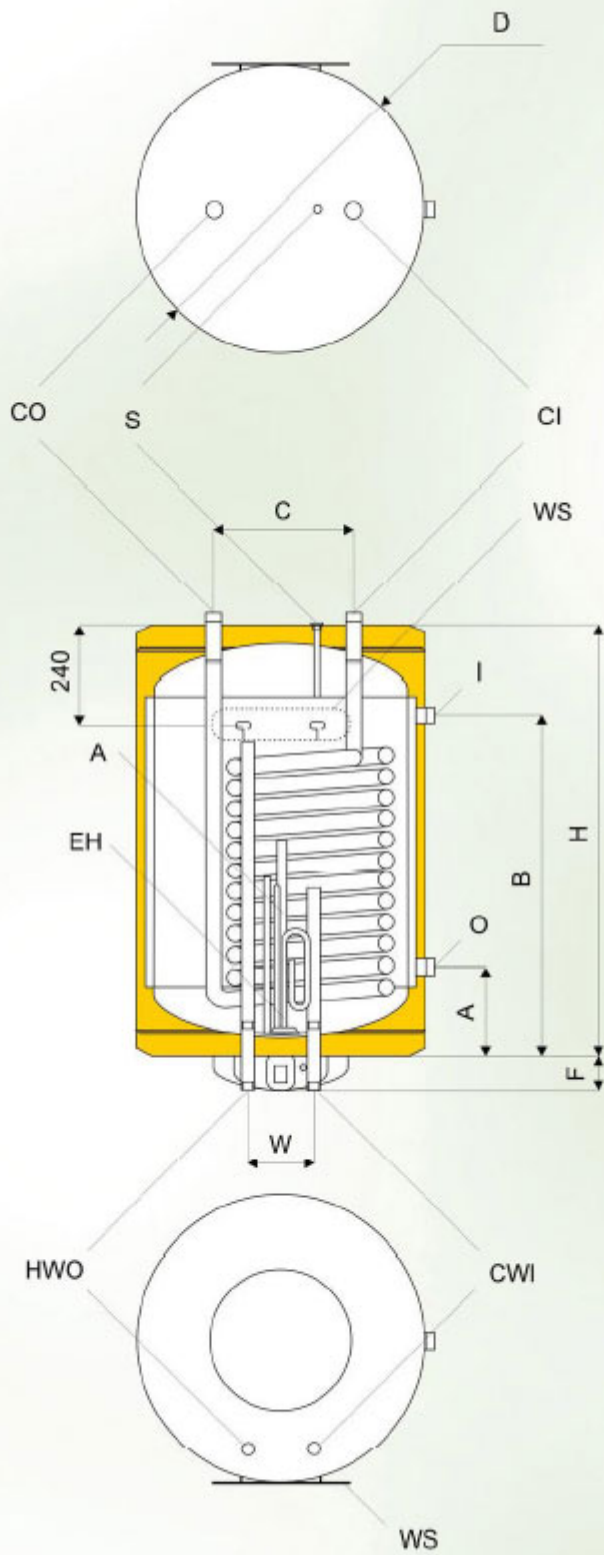


Electric heaters 2 and 3 kW/230V



DIMENSIONS FOR THE DIFFERENT LITRES vertical execution (mm)

| BB V/S1M | 80 L | 100 L | 120 L | 150 L |
|----------|------|-------|-------|-------|
| A | 143 | 143 | 143 | 143 |
| B | 497 | 627 | 753 | 893 |
| C | 250 | 250 | 250 | 250 |
| D | φ520 | φ520 | φ520 | φ520 |
| H | 640 | 770 | 900 | 1040 |
| W | 120 | 120 | 120 | 120 |
| F | 60 | 60 | 60 | 60 |

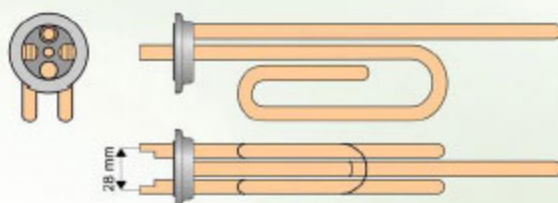


MODEL STOPER BB V/S 1M

The domestic boiler model BB has outer diameter of the bottom 520 mm. It is offered with volumes from 80 up to 200 litres /vertical execution/.

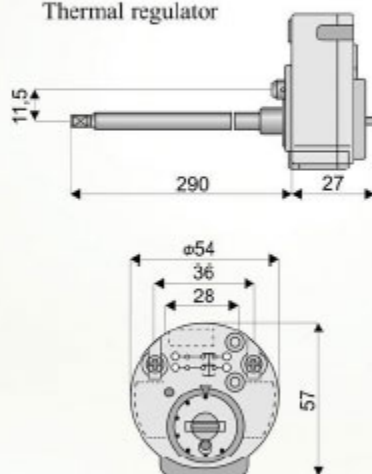
TECHNICAL FEATURES OF A BOILER WITH ONE COIL AND CASING MODEL BB H/S1M

| | | | | | |
|--|-----------|-----------|-----------|-----------|-----------|
| Volume L | 80 | 100 | 120 | 150 | 200 |
| Casing input/outlet R | 1/2" | 1/2" | 1/2" | 1/2" | 1/2" |
| Coil S input/outlet R | 3/4" | 3/4" | 3/4" | 3/4" | 3/4" |
| Heat exchanging surface S1 m ² | 0,53 | 0,8 | 0,8 | 1,06 | 1,06 |
| For connection to a boiler with t 90°C and water t 10/45°C kW/L/h | 25 614 | 32 786 | 32 786 | 40 982 | 40 982 |
| Electric heater power kW | 2 | 2 | 2 | 3 | 3 |
| Cold water input R | 1/2" | 1/2" | 1/2" | 1/2" | 3/4" |
| Hot water outlet R | 1/2" | 1/2" | 1/2" | 1/2" | 3/4" |
| Weight kg enamel | 62 | 72 | 86 | 100 | 120 |
| Weight kg CrNi | 48 | 57 | 68 | 80 | 97 |



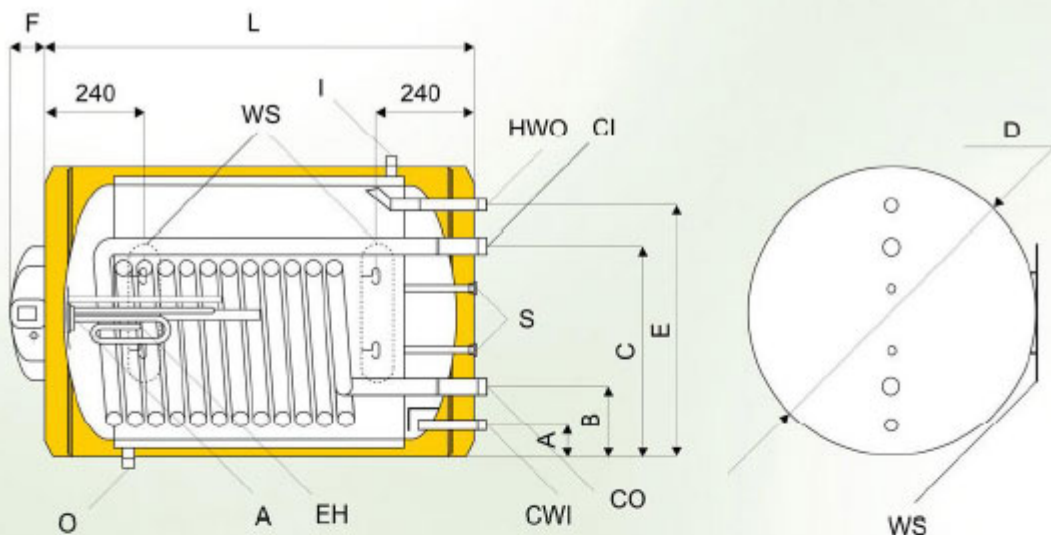
Electric heaters 2 and 3 kW/230V

Thermal regulator



DIMENSIONS FOR THE DIFFERENT LITRES
horizontal execution (mm)

| BB H/S1M | 80 L | 100 L | 120 L | 150 L | 200 L |
|----------|------|-------|-------|-------|-------|
| A | 65 | 65 | 65 | 65 | 65 |
| B | 135 | 135 | 135 | 135 | 135 |
| C | 385 | 385 | 385 | 385 | 385 |
| D | ∅520 | ∅520 | ∅520 | ∅520 | ∅520 |
| E | 455 | 455 | 455 | 455 | 455 |
| L | 640 | 770 | 900 | 1040 | 1310 |
| F | 60 | 60 | 60 | 60 | 60 |



1. Solar collector
2. Digital control
3. Boiler with a coil and casing
4. Pump group
5. Expansion vessel for the solar installation
6. Filter
7. Back valve for the solar installation
8. Spherical tap
- 9a. Thermal sensor for cold heat carrier
- 9b. Thermal sensor for hot heat carrier
- 9c. Thermal sensor for hot water
10. Solar installation filling taps
11. Pump for the heating installation
12. Back valve
13. Boiler
14. Expansion vessel for the heating installation
15. Three-way valve
16. Heating installation

Connection diagram of a boiler with a coil and casing to the heating installation and solar system

