

INDUSTRIAL WATER CONTAINERS OF TYPE HSE

They are used for satisfying the hot water needs of especially large consumers.

They are produced only in horizontal execution due to the high requirements set for them and explaining their big mass. All industrial water containers of type HSE are made out of steel sheet protected with a high quality double layer coating: EPICON T 500: WELBOND HM, used for sweet water storage tanks.

The industrial water containers of type HSE have capacities from 2500 l up to 10000 l.

They are provided with different number of electric heaters of 12 kW each that are connected to a special circuit board.

The leads for deaeration and recirculation are located in the upper part of the water container.

Water container

Material: steel sheet ST 37.2

Welding: automatic metal inert gas welding (MIG and TIG)

Protection coating: EPICON T 500: WELBOND HM

Maximum working pressure: 8 bar

Maximum water test pressure: 15 bar

Maximum operating temperature: 95°C

Insulation: polyurethane foam 100 mm thick with density 23 kg/m³

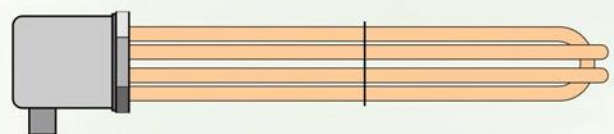
Decorative encasing: masked peckalite with different colours

Electric heaters: 12 kW, (400 V)

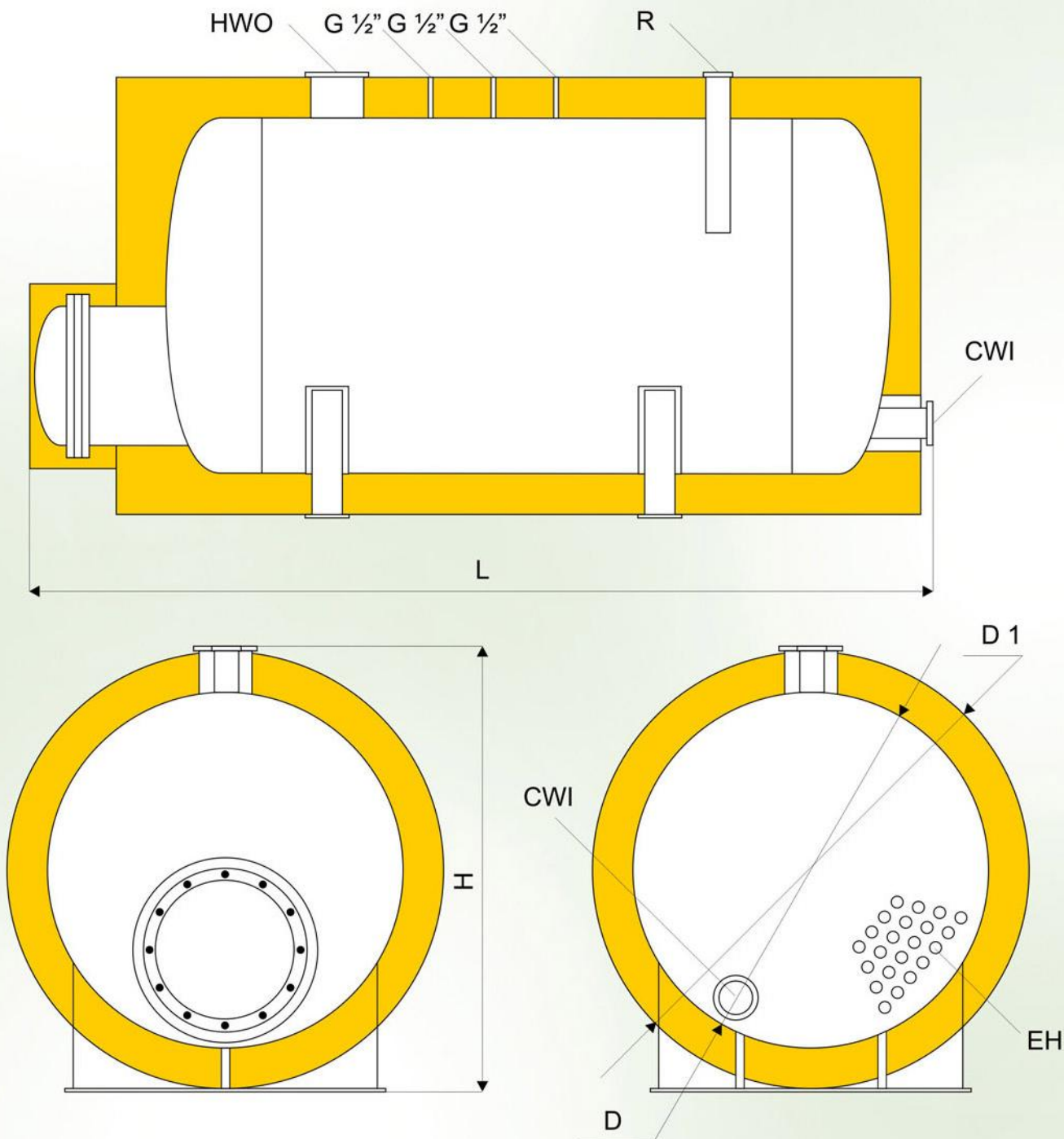
TECHNICAL FEATURES OF INDUSTRIAL WATER CONTAINERS OF TYPE HSE

Volume L	2500 L	3000 L	4000 L	5000 L	7000 L	10000 L
Electric heater power kW	3 x 12	4 x 12	5 x 12	6 x 12	9 x 12	12 x 12
Cold water input DN	100	100	100	100	200	200
Hot water outlet DN	100	100	100	100	200	200
Recirculation DN	50	50	50	50	50	50
Weight kg	1600	1800	2400	2800	3400	4500
Working pressure bar	8	8	8	8	8	8

For HSE 2500 l	3 x 12 kW / 400V
For HSE 3000 l	4 x 12 kW / 400V
For HSE 4000 l	5 x 12 kW / 400V
For HSE 5000 l	6 x 12 kW / 400V
For HSE 7000 l	9 x 12 kW / 400V
For HSE 10000 l	12 x 12 kW / 400V



Electric heaters 12 kW/400 V



**DIMENSIONS
FOR THE DIFFERENT LITRES
horizontal execution (mm)**

HSE	2500 L	3000 L	4000 L	5000 L	7000 L	10000 L
H	1450	1525	1800	1830	2340	2340
D	φ1150	φ1300	φ1300	φ1600	φ1900	φ1900
D ₁	φ1350	φ1500	φ1500	φ1800	φ2100	φ2100
L	3600	3345	3400	3930	3740	4730
HWO/DN	100	100	100	100	200	200
CWI/DN	100	100	100	100	200	200
R/DN	50	50	50	50	50	50