

INDUSTRIAL WATER CONTAINERS OF TYPE HSU-1

They are used to satisfy the hot water needs of especially large consumers. They are produced only in horizontal execution due to high requirements set for them and explaining their big mass. They are provided with a U-type heat-exchanging unit. It is designed with the purpose to increase the heat-exchanging surface and consists of U-shaped pipes united in a common collector at the flange of the boiler.

All industrial water containers of type HSU 1 are produced from steel sheet protected with a high quality double layer coating: EPICON T-500: WELBOND HM, used for sweet water storage tanks.

The industrial water containers of type HSU 1 have capacities from 2500 l up to 10000 l.

They are provided with different number of stainless electric heaters of 12 kW each which are connected to a special circuit board.

The leads for deaeration, recirculation and the sensors are located in the upper part of the water container.

Water container

Material: steel sheet ST 37.2

Welding: automatic metal inert gas welding (MIG and TIG)

Protection coating: EPICON T 500: WELBOND HM

Maximum working pressure: 8 bar

Maximum water test pressure: 15 bar

Maximum operating temperature: 95°C

Insulation: polyurethane foam 100 mm thick with density 23 kg/m³

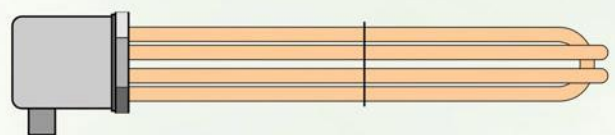
Decorative encasing: masked peckalite with different colours

Electric heaters: 12 kW, (400 V)

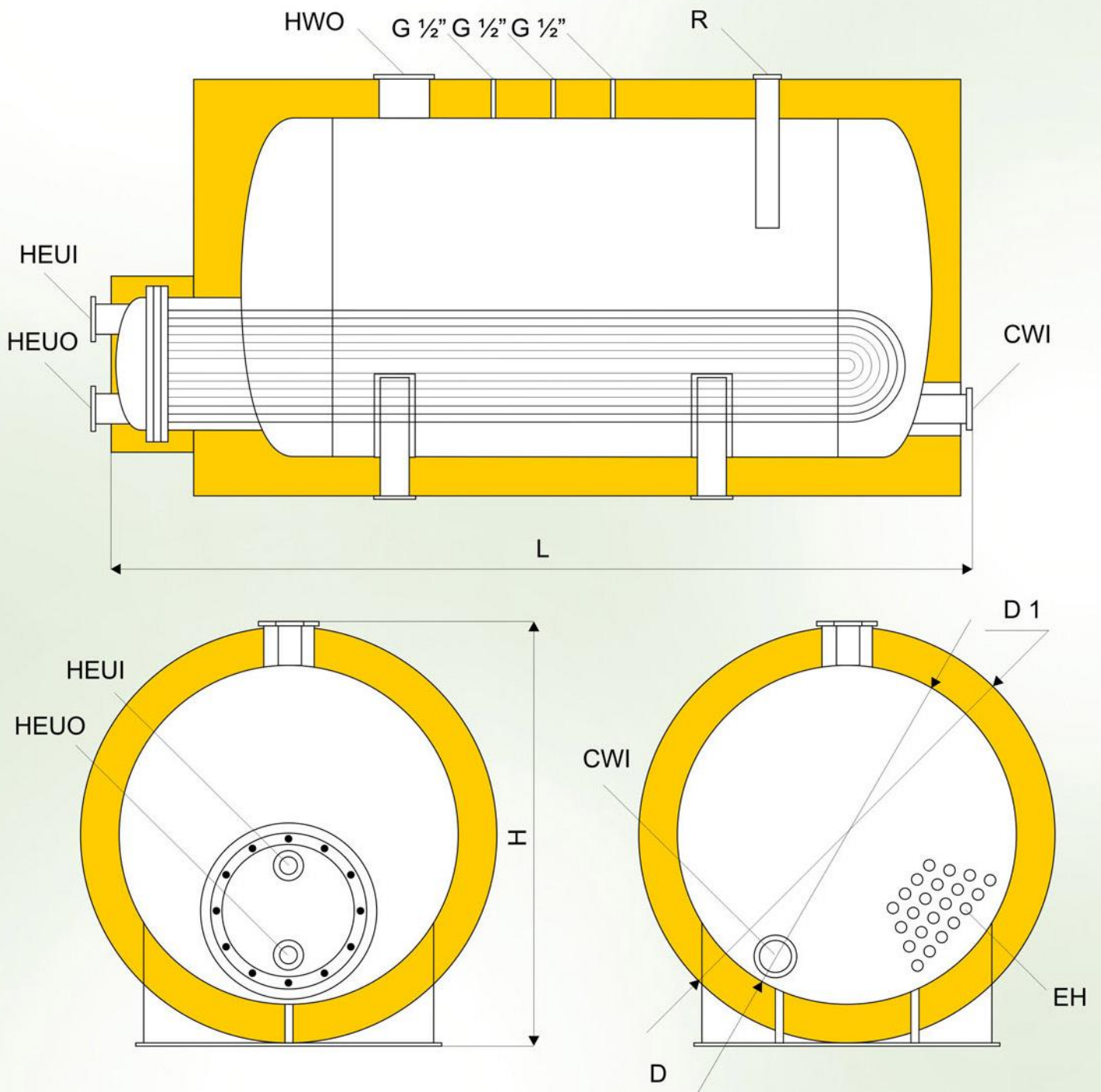
TECHNICAL FEATURES OF INDUSTRIAL WATER CONTAINERS OF TYPE HSU

Volume L	2500 L	3000 L	4000 L	5000 L	7000 L	10000 L
Weight kg	1900	2100	2700	3100	3800	5100
Heat-exchanging surface of S1 m ²	15	20	22	30	40	55

For HSU 2500 l	3 x 12 kW / 400V
For HSU 3000 l	4 x 12 kW / 400V
For HSU 4000 l	5 x 12 kW / 400V
For HSU 5000 l	6 x 12 kW / 400V
For HSU 7000 l	9 x 12 kW / 400V
For HSU 10000 l	12 x 12 kW / 400V



Electric heaters 12 kW/400 V



DIMENSIONS
FOR THE DIFFERENT LITRES
horizontal execution (mm)

HSU	2500 L	3000 L	4000 L	5000 L	7000 L	10000 L
H	1450	1530	1800	1830	2340	2340
D	φ1150	φ1300	φ1300	φ1600	φ1900	φ1900
L	3600	3100	3400	3810	3660	4830
HWO/DN	100	100	100	100	200	200
CWI/DN	100	100	100	100	200	200
R/DN	50	50	50	50	50	50
HEUI/DN	50	50	50	50	50	50
HEUO/DN	50	50	50	50	50	50
D1	φ1350	φ1500	φ1500	φ1800	φ2100	φ2100