

## INDUSTRIAL BOILERS OF TYPE SB

They are made out with double layer epoxy coating on a steel sheet or stainless water container. They can be electric, with one or two coils - vertical or horizontal execution. The boilers are provided with different numbers of electric heaters of 7,5 kW / 400 V each.

### Water container

**Material:** steel sheet ST 37.2 or stainless steel sheet 1.4301

**Welding:** automatic metal inert gas welding (MIG and TIG)

**Protection coating:** double layer epoxy coating EPIKON T-500; WELBOND HM

**Maximum working pressure:** 8 bar

**Maximum water test pressure:** 15 bar

**Maximum coil water test pressure:** 25 bar

**Maximum operating temperature:** 95°C

**Insulation:** soft polyurethane foam, 100 mm thick, density 23 kg/m<sup>3</sup>

**Decorative encasing:** masked peckalite with different colours

**Electric heater:** 7,5 kW, (400 V) with double protection thermal regulator

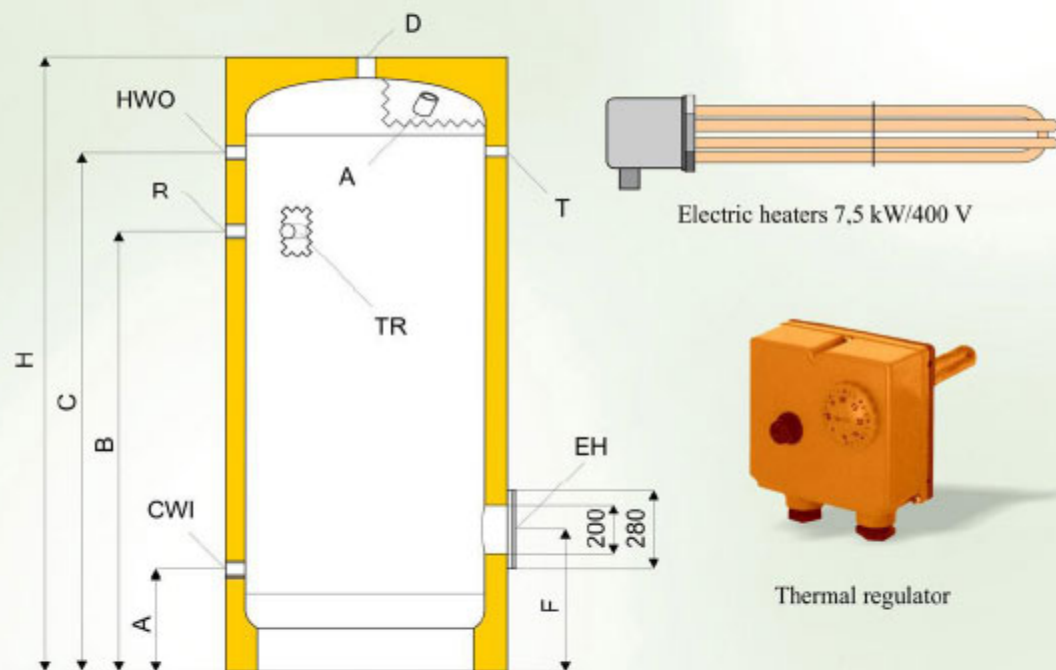
**Flange:** diameter Ø 280 mm / Ø 200 mm



# MODEL STOPER SB V/EL

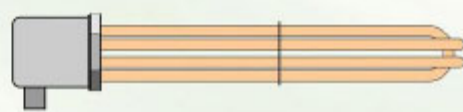
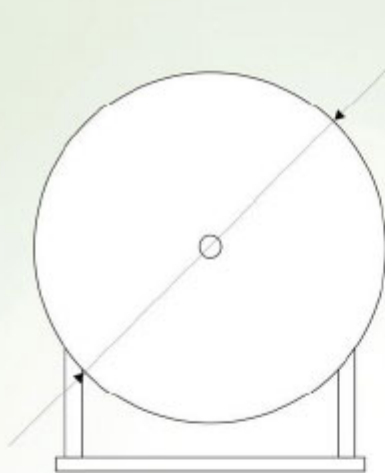
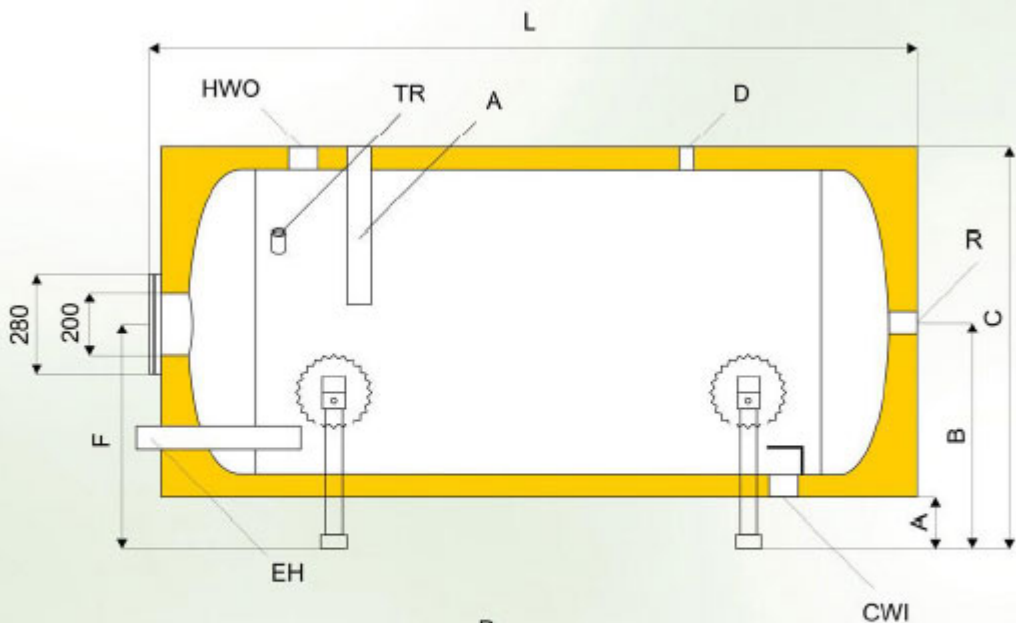
## TECHNICAL FEATURES OF AN ELECTRIC BOILER MODEL SB EL

Volume L	1500	2000
Electric heater power kW	3 x 7,5	4 x 7,5
Cold water input G	2 x 1 1/2"	2 x 1 1/2"
Hot water outlet G	2 x 1 1/2"	2 x 1 1/2"
Recirculation G	1"	1"
Weight kg enamel	490	610
Weight kg CrNi	340	420
Working pressure bar	8	8



DIMENSIONS  
FOR THE DIFFERENT LITRES  
vertical execution (mm)

SB V/EL	1500 L	2000 L
A	355	355
B	1623	1208
C	1845	1456
D	φ1200	φ1350
H	2240	2200
F	475	475



Electric heaters 7,5 kW/400 V

For SB 1500 l	3 x 7,5 kW / 400V
For SB 2000 l	4 x 7,5 kW / 400V



Thermal regulator

**DIMENSIONS  
FOR THE DIFFERENT LITRES  
horizontal execution (mm)**

SB H/EL	1500 L	2000 L
A	140	140
B	740	815
C	1340	1490
D	φ1200	φ1350
L	2240	2200
F	740	815
S	140	140

