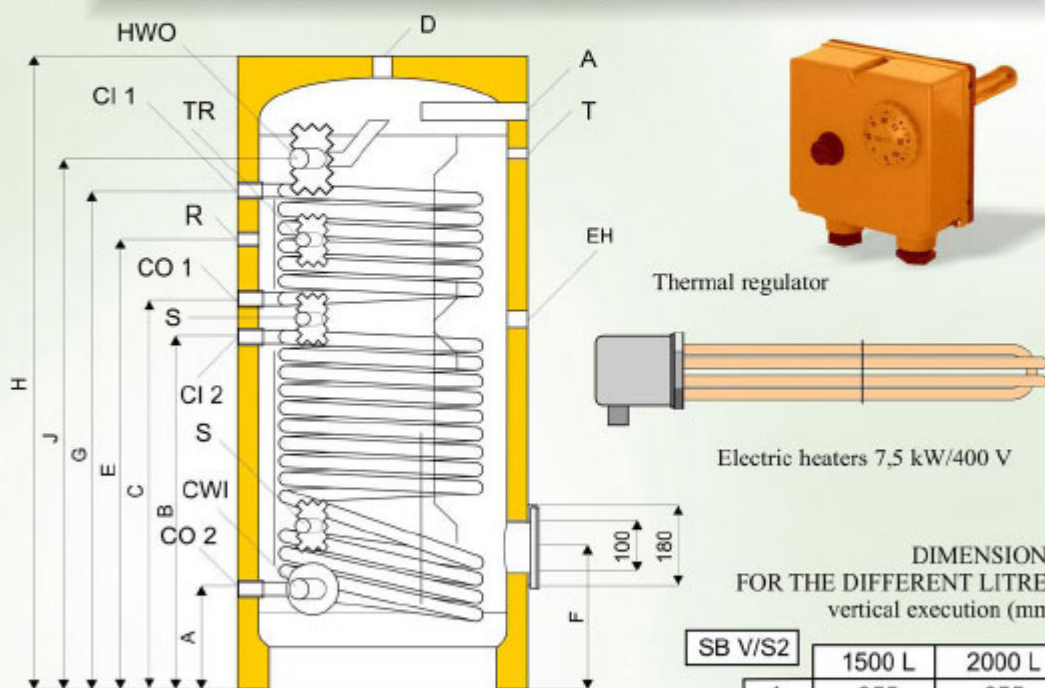


# MODEL STOPER SB S2

## TECHNICAL FEATURES OF A DOUBLE-COIL BOILER MODEL SB S2

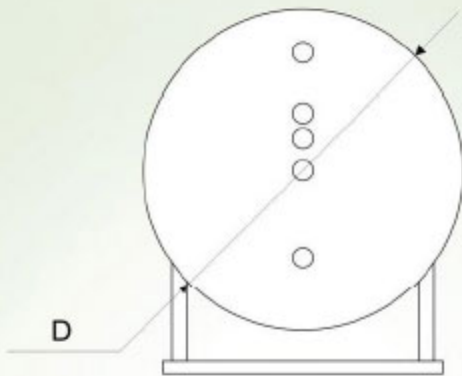
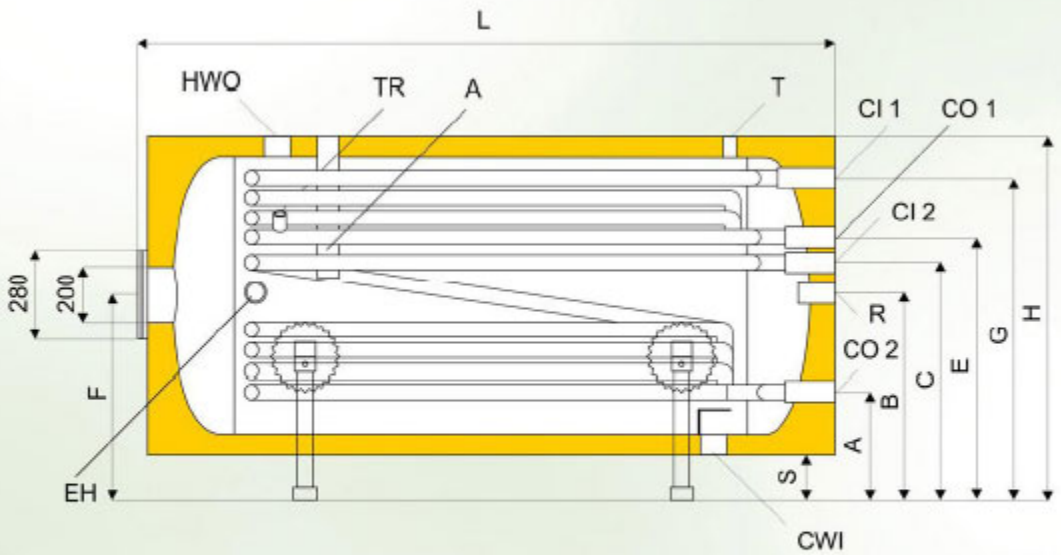
Volume L	1500	2000
Electric heater power kW	3 x 7,5	4 x 7,5
Coil S1 heat exchanging surface m <sup>2</sup>	3	4
Coil S2 heat exchanging surface m <sup>2</sup>	2,5	3
Cold water input G	2 x 1 1/2"	2 x 1 1/2"
Hot water outlet G	2 x 1 1/2"	2 x 1 1/2"
Recirculation G	1"	1"
Weight kg enamel	590	770
Weight kg CrNi	440	560
Working pressure bar	8	8



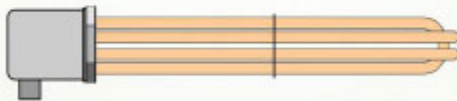
SB V/S2	1500 L	2000 L
A	355	355
B	1085	1085
C	1623	1623
E	1845	1845
D	φ1200	φ1350
H	2240	2200
F	475	475
G	1850	1850
J	1900	1900

Industrial boilers  
of type SB

8



Thermal regulator



Electric heaters 7,5 kW/400 V

DIMENSIONS  
FOR THE DIFFERENT LITRES  
horizontal execution (mm)

SB H/S2	1500 L	2000 L
A	450	480
B	740	820
C	850	940
D	φ1200	φ1350
E	960	1060
L	2240	2200
F	740	815
G	1160	1290
S	140	140
H	1340	1490

